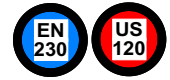


TECNOLUMEN

TECNOLUMEN GmbH & Co. KG • Lötzeener Str. 2-4 • D-28207 Bremen • Tel (0421) 430 41 70 • Fax (0421) 4986685



Data sheet HMB27 / 250

General information:

Article type: Pendant lamp

Article designations:

Logo:

Each lamp is consecutively numbered and bears this logo **TECNOLUMEN®** / Bauhaus

Material:

Metal, opaque globe

Surface:

Nickel plated, polished and varnished brass

Design: Marianne Brandt, 1926

HMB27 / 250 Ni, HMB27 / 250 M

Technical Data:

General information:

Power supply: 120-240 V / 50-60 Hz

Degree of protection: IP20

Protection class: I

Adjustability:

The luminaire is not adjustable

Length of the shortenable part (chains):

approx. 1000 mm

Connection & Switch:

Mode of connection:

Directly to connection terminal

Switch:

No switch

Brightness control:

Dimmable with external leading-edge and trailing-edge dimmers

Light sources:

Maximum wattage (thermal):

75 W

Bulb socket:

E27

Recommended bulb:

LED bulb 8 W

Energy efficiency class of the luminaire:



Dimensions and weights:

The weight of the luminaire:

2,7 kg

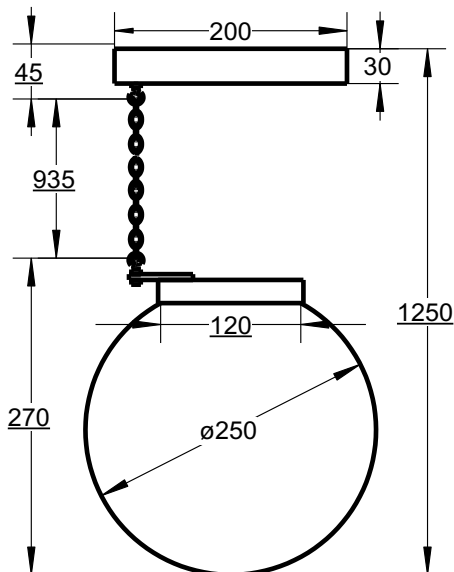
The dimensions of the packages: L B H:

360 x 360 x 480 mm

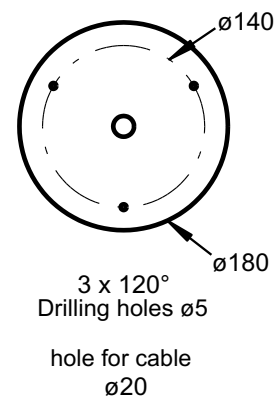
The weight of the packages:

4,3 kg

The dimensions of the luminaire:

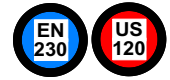


Mounting plate:



TECNOLUMEN

TECNOLUMEN GmbH & Co. KG • Lötzeener Str. 2-4 • D-28207 Bremen • Tel (0421) 430 41 70 • Fax (0421) 4986685



Data sheet HMB27 / 300

General information:

Article type: Pendant lamp

Article designations:

Logo: Each lamp is consecutively numbered and bears this logo **TECNOLUMEN®** / Bauhaus

Material:

Metal, opaque globe

Surface:

Nickel plated, polished and varnished brass

Design: Marianne Brandt, 1926

HMB27 / 300 Ni, HMB27 / 300 M

Technical Data:

General information:

Power supply: 120-240 V / 50-60 Hz

Degree of protection: IP20

Protection class: I

Adjustability:

The luminaire is not adjustable

Length of the shortenable part (chains):

approx. 1000 mm

Connection & Switch:

Mode of connection:

Directly to connection terminal

Switch:

No switch

Brightness control:

Dimmable with external leading-edge and trailing-edge dimmers

Light sources:

Maximum wattage (thermal):

100 W

Bulb socket:

E27

Recommended bulb:

LED bulb 8 W

Energy efficiency class of the luminaire:



Dimensions and weights:

The weight of the luminaire:

4,1 kg

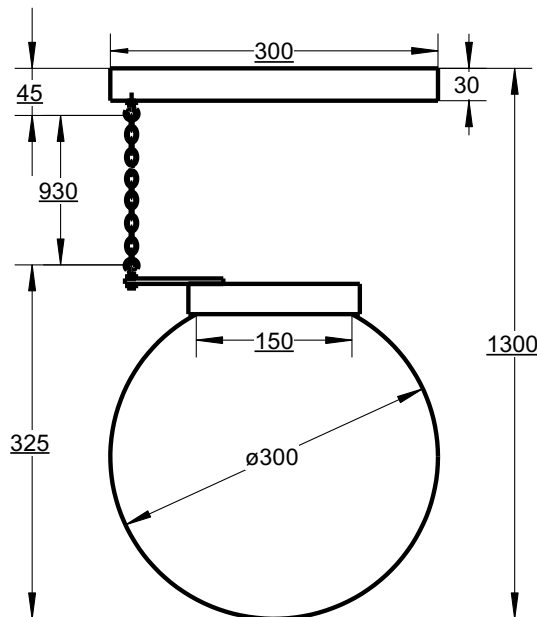
The dimensions of the packages: L B H:

360 x 360 x 480 mm

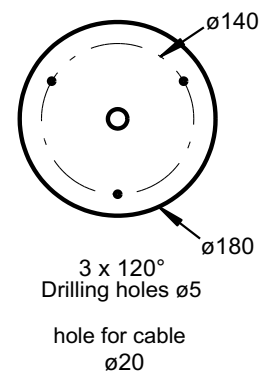
The weight of the packages:

5,4 kg

The dimensions of the luminaire:

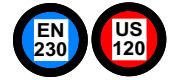


Mounting plate:



TECNOLUMEN

TECNOLUMEN GmbH & Co. KG • Lötzeener Str. 2-4 • D-28207 Bremen • Tel (0421) 430 41 70 • Fax (0421) 4986685



Data sheet HMB27 / 350

General information:

Article type: Pendant lamp

Article designations:

Logo: Each lamp is consecutively numbered and bears this logo **TECNOLUMEN®** / Bauhaus

Material:

Metal, opaque globe

Surface:

Nickel plated, polished and varnished brass

Design: Marianne Brandt, 1926

HMB27 / 350 Ni, HMB27 / 350 M

Technical Data:

General information:

Power supply: 120-240 V / 50-60 Hz

Degree of protection: IP20

Protection class: I

Adjustability:

The luminaire is not adjustable

Length of the shortenable part (chains):

approx. 1000 mm

Connection & Switch:

Mode of connection:

Directly to connection terminal

Switch:

No switch

Brightness control:

Dimmable with external leading-edge and trailing-edge dimmers

Light sources:

Maximum wattage (thermal):

100 W

Bulb socket:

E27

Recommended bulb:

LED bulb 8 W

Energy efficiency class of the luminaire:



Dimensions and weights:

The weight of the luminaire:

4,4 kg

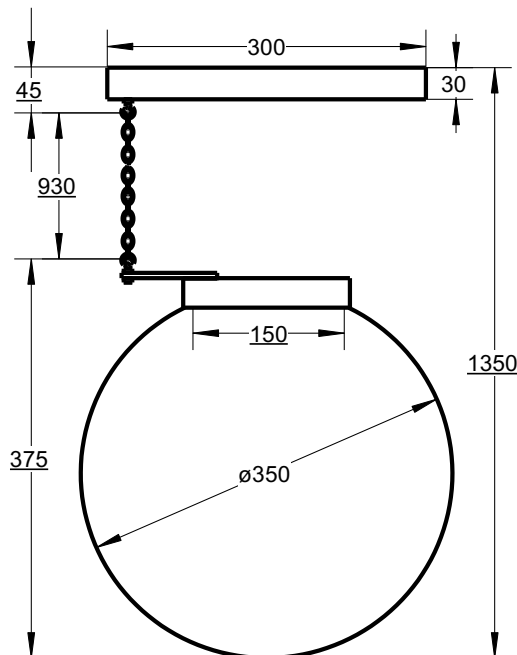
The dimensions of the packages: L B H:

450 x 450 x 560 mm

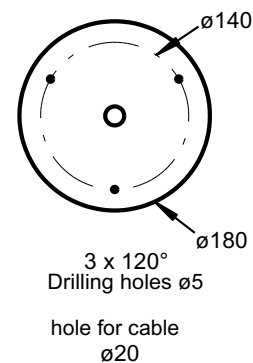
The weight of the packages:

6,6 kg

The dimensions of the luminaire:

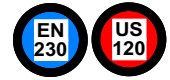


Mounting plate:



TECNOLUMEN

TECNOLUMEN GmbH & Co. KG • Lötzeener Str. 2-4 • D-28207 Bremen • Tel (0421) 430 41 70 • Fax (0421) 4986685



Data sheet HMB27 / 400

General information:

Article type: Pendant lamp

Article designations:

Logo:

Each lamp is consecutively numbered and bears this logo **TECNOLUMEN®** / Bauhaus

Material:

Metal, opaque globe

Surface:

Nickel plated, polished and varnished brass

Design: Marianne Brandt, 1926

HMB27 / 400 Ni, HMB27 / 400 M

Technical Data:

General information:

Power supply: 120-240 V / 50-60 Hz

Degree of protection: IP20

Protection class: I

Adjustability:

The luminaire is not adjustable

Length of the shortenable part (chains):

approx. 1000 mm

Connection & Switch:

Mode of connection:

Directly to connection terminal

Switch:

No switch

Brightness control:

Dimmable with external leading-edge and trailing-edge dimmers

Light sources:

Maximum wattage (thermal):

100 W

Bulb socket:

E27

Recommended bulb:

LED bulb 8 W

Energy efficiency class of the luminaire:



Dimensions and weights:

The weight of the luminaire:

7,0 kg

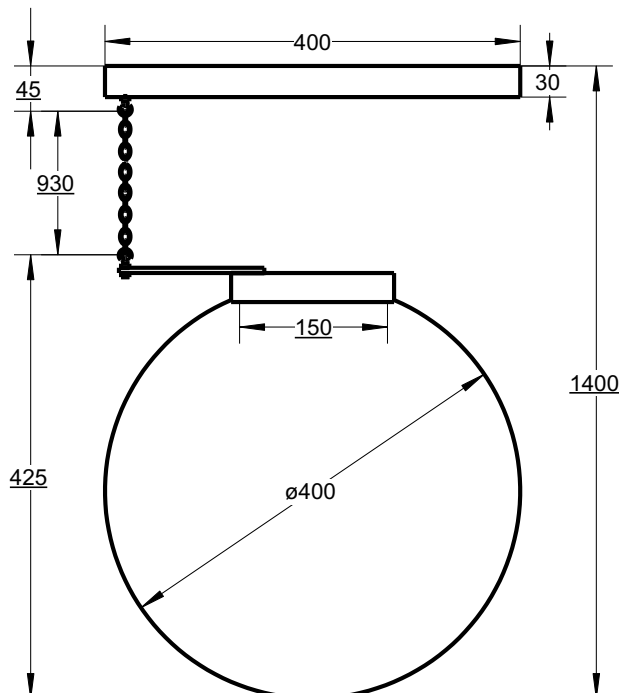
The dimensions of the packages: L B H:

450 x 450 x 560 mm

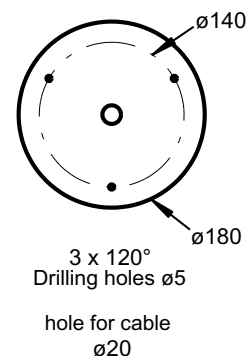
The weight of the packages:

9,3 kg

The dimensions of the luminaire:



Mounting plate:



TECNOLUMEN

TECNOLUMEN GmbH & Co. KG • Lötzeener Str. 2-4 • D-28207 Bremen • Tel (0421) 430 41 70 • Fax (0421) 4986685

Maßnahmen Datenblatt HMB27 / 250 / 300 / 350 / 400

Export Info's

Für den Export erforderliche Maßnahmen:

Export in die Schweiz

Nichts Erforderlich

Export nach Italien

Betriebsanleitung:

Englischsprachig

Export nach Großbritannien

Betriebsanleitung:

Englischsprachig

Export in die USA

Betriebsanleitung:

Englischsprachig