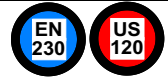


# TECNOLUMEN

TECNOLUMEN GmbH & Co. KG • Lötzeener Str. 2-4 • D-28207 Bremen • Tel (0421) 430 41 70 • Fax (0421) 4986685



## Data sheet HMB25/300

### General information:

Article type: Ceiling lamp

Design: Marianne Brandt und Hans Przyrembel, 1925

Article designations:

HMB25/300 Ni, HMB25/300 W

Logo:

Each lamp is consecutively numbered and bears this logo **TECNOLUMEN®** / Bauhaus

Material:

Metal

Surface:

Polished nickel silver, metal lacquered

### Technical Data:

#### General information:

Power supply: 100-240 V / 50-60 Hz

Degree of protection: IP20

Protection class: I

Adjustability:

The luminaire is not adjustable

Length of the shortenable part (cable):

2500 mm

#### Connection & Switch:

Mode of connection:

Directly to connection terminal

Switch:

No switch

#### Brightness control:

Dimmable with external leading-edge and trailing-edge dimmers

#### Light sources:

Maximum wattage (thermal):

100 W

Bulb socket:

E27

Recommended bulb:

LED bulb 8 W, matt

#### Energy efficiency class of the luminaire:



#### Dimensions and weights:

The weight of the luminaire:

1,7 kg

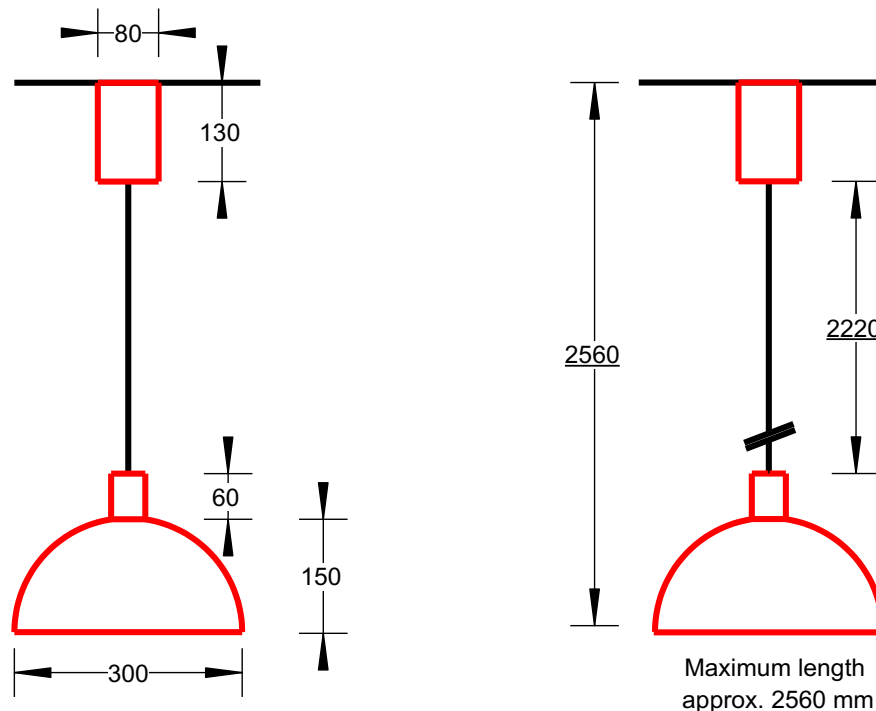
The dimensions of the packages: L B H:

360 x 360 x 375 mm

The weight of the packages:

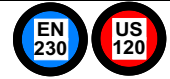
3,0 kg

The dimensions of the luminaire with **2,5 m** cable length (**delivery status**):



# TECNOLUMEN

TECNOLUMEN GmbH & Co. KG • Lötzeener Str. 2-4 • D-28207 Bremen • Tel (0421) 430 41 70 • Fax (0421) 4986685



## Data sheet HMB25/300 Z

### General information:

Article type: Ceiling lamp

Design: Marianne Brandt und Hans Przyrembel, 1925

Article designations:

HMB25/300 Z Ni, HMB25/300 Z W

Logo:

Each lamp is consecutively numbered and bears this logo **TECNOLUMEN®** / Bauhaus

Material:

Metal

Surface:

Polished nickel silver, metal lacquered

### Technical Data:

#### General information:

Power supply: 100-240 V / 50-60 Hz

Degree of protection: IP20

Protection class: I

Adjustability:

The luminaire is adjustable

Length of the shortenable part (cable):

4000 mm

#### Connection & Switch:

Mode of connection:

Directly to connection terminal

Switch:

No switch

#### Brightness control:

Dimmable with external leading-edge and trailing-edge dimmers

#### Light sources:

Maximum wattage (thermal):

100 W

Bulb socket:

E27

Recommended bulb:

LED bulb 8 W, matt

#### Energy efficiency class of the luminaire:



#### Dimensions and weights:

The weight of the luminaire:

5,5 kg

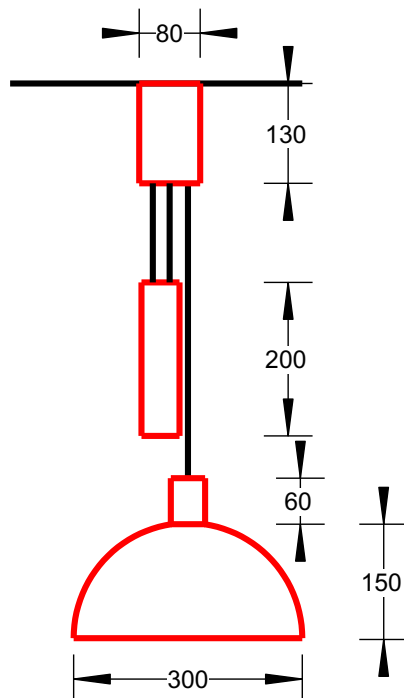
The dimensions of the packages: L B H:

360 x 360 x 375 mm

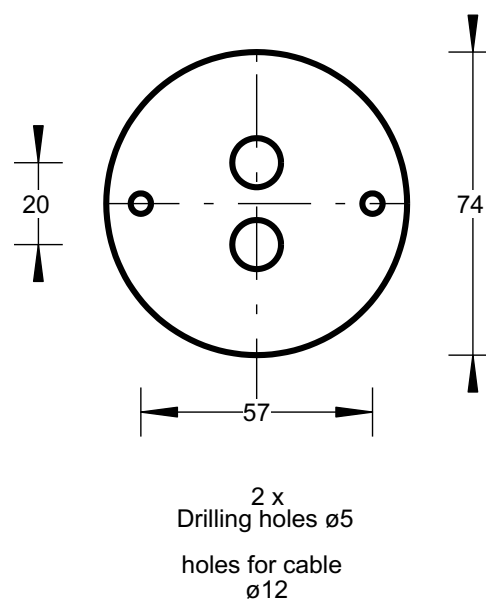
The weight of the packages:

6,7 kg

The dimensions of the luminaire:



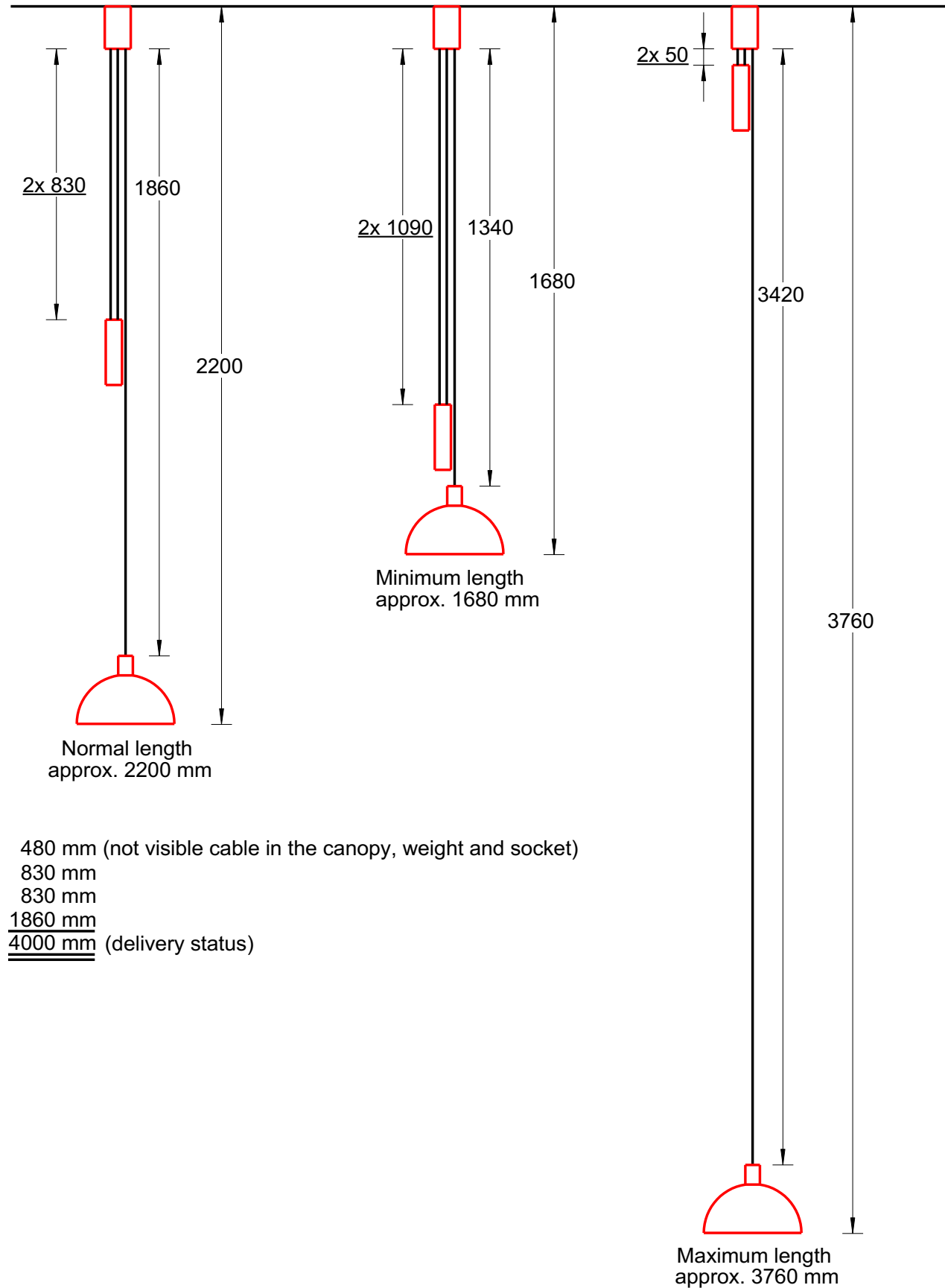
The dimensions of the mounting plate:



# TECNOLUMEN

TECNOLUMEN GmbH & Co. KG • Lötzer Str. 2-4 • D-28207 Bremen • Tel (0421) 430 41 70 • Fax (0421) 4986685

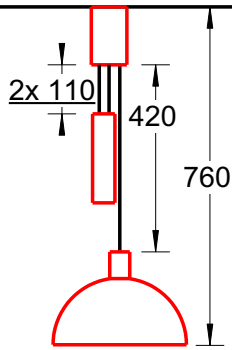
The dimensions of the luminaire with 4 m cable length (delivery status):



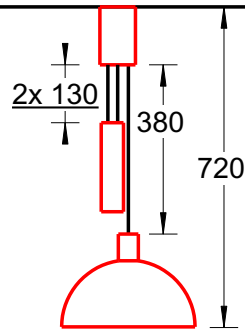
# TECNOLUMEN

TECNOLUMEN GmbH & Co. KG • Lötzer Str. 2-4 • D-28207 Bremen • Tel (0421) 430 41 70 • Fax (0421) 4986685

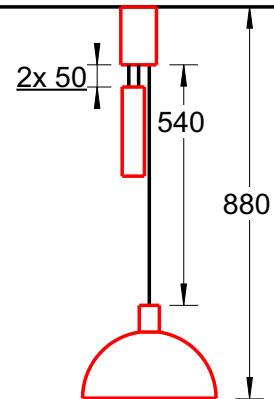
The dimensions of the luminaire with 1,12 m cable length (the shortest possible cable length):



Normal length  
approx. 760 mm



Minimum length  
approx. 720 mm



Maximum length  
approx. 880 mm

480 mm (not visible cable in the canopy, weight and socket)

110 mm

110 mm

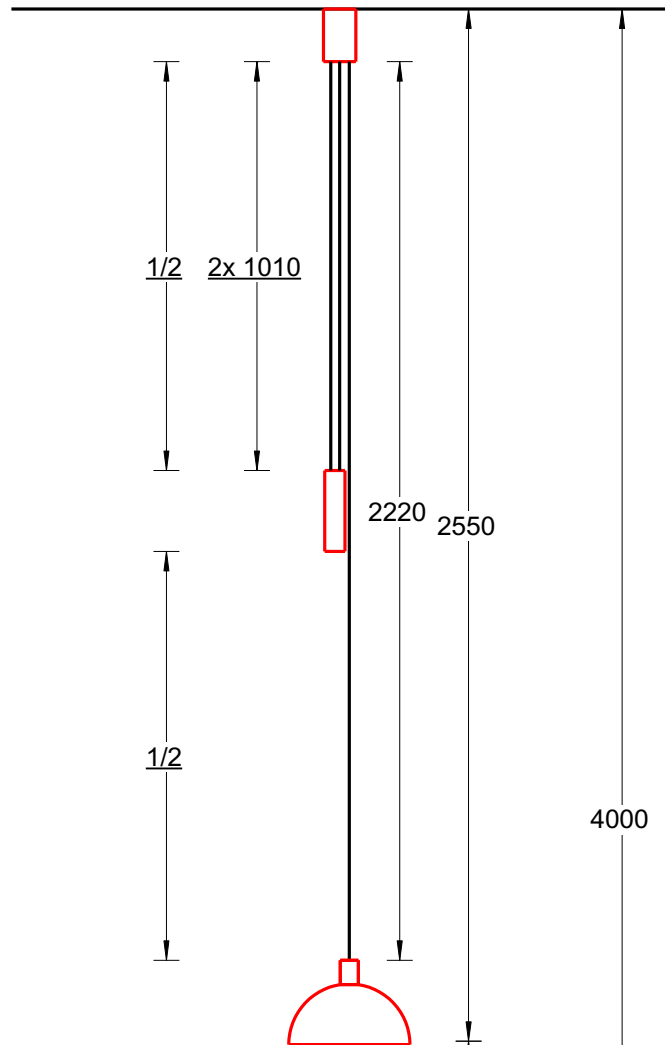
420 mm

1120 mm (the shortest possible cable length)

# TECNOLUMEN

TECNOLUMEN GmbH & Co. KG • Lötzer Str. 2-4 • D-28207 Bremen • Tel (0421) 430 41 70 • Fax (0421) 4986685

Example for a cable length calculation by a ceiling height of 4 m:



Example for a cable length calculation by a ceiling height of 4 m.

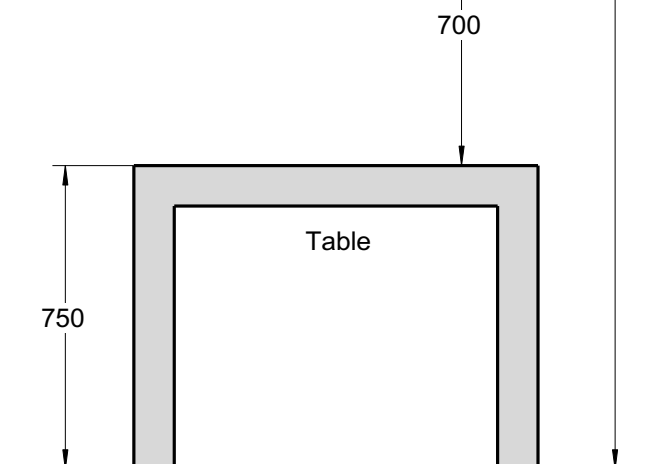
480 mm (not visible cable in the canopy, weight and socket)

1010 mm

1010 mm

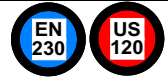
2220 mm

4720 mm (required cable length)



# TECNOLUMEN

TECNOLUMEN GmbH & Co. KG • Lötzeener Str. 2-4 • D-28207 Bremen • Tel (0421) 430 41 70 • Fax (0421) 4986685



## Data sheet HMB25/500

### General information:

Article type: Ceiling lamp

Article designations:

Logo:

Material:

Surface:

Design: Marianne Brandt und Hans Przyrembel, 1925

HMB25/500 Ni, HMB25/500 W

Each lamp is consecutively numbered and bears this logo **TECNOLUMEN®** / Bauhaus

Metal

Aluminum polished and nickel plated, metal lacquered

### Technical Data:

#### General information:

Power supply: 100-240 V / 50-60 Hz

Adjustability:

Length of the shortenable part (cable):

Degree of protection: IP20

Protection class: I

The luminaire is not adjustable

2500 mm

#### Connection & Switch:

Mode of connection:

Switch:

Directly to connection terminal

No switch

#### Brightness control:

Dimmable with external leading-edge and trailing-edge dimmers

#### Light sources:

Maximum wattage (thermal):

Bulb socket:

Recommended bulb:

100 W

E27

LED bulb 8 W, matt

#### Energy efficiency class of the luminaire:



#### Dimensions and weights:

The weight of the luminaire:

The dimensions of the packages: L B H:

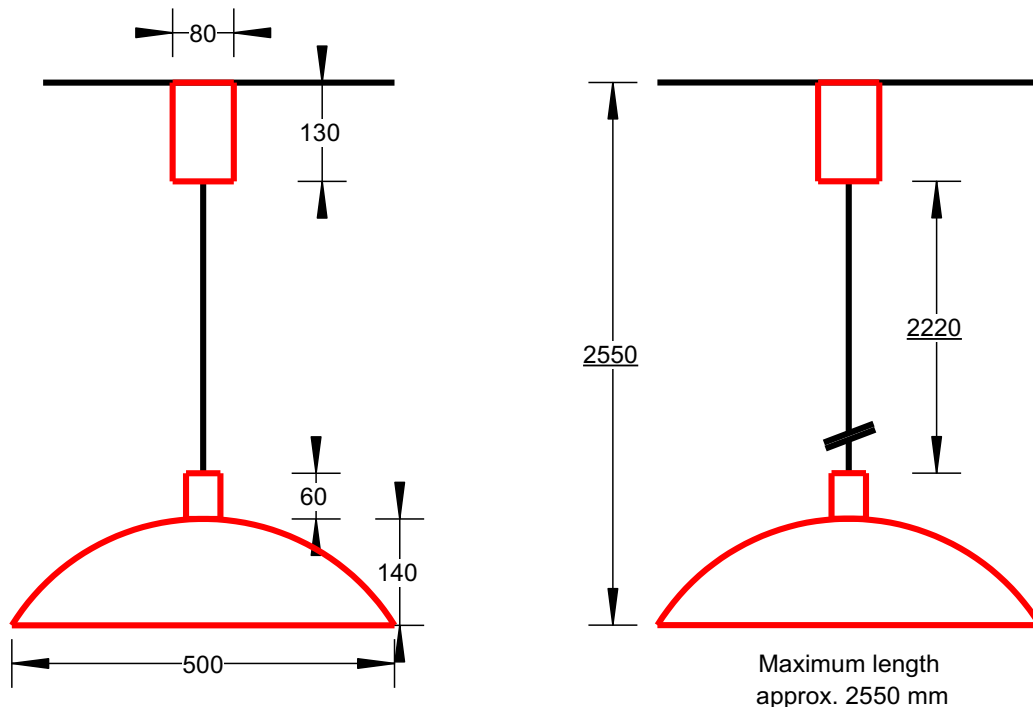
The weight of the packages:

1,3 kg

565 x 565 x 380 mm

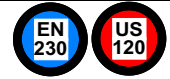
4,1 kg

The dimensions of the luminaire with 2,5 m cable length (**delivery status**):



# TECNOLUMEN

TECNOLUMEN GmbH & Co. KG • Lötzeener Str. 2-4 • D-28207 Bremen • Tel (0421) 430 41 70 • Fax (0421) 4986685



## Data sheet HMB25/500 Z

### General information:

Article type: Ceiling lamp

Article designations:

Logo:

Each lamp is consecutively numbered and bears this logo **TECNOLUMEN®** / Bauhaus

Material:

Metal

Surface:

Aluminum polished and nickel plated, metal lacquered

Design: Marianne Brandt und Hans Przyrembel, 1925

HMB25/500 Z Ni, HMB25/500 Z W

### Technical Data:

#### General information:

Power supply: 100-240 V / 50-60 Hz

Degree of protection: IP20

Protection class: I

Adjustability:

The luminaire is adjustable

Length of the shortenable part (cable):

4000 mm

#### Connection & Switch:

Mode of connection:

Directly to connection terminal

Switch:

No switch

#### Brightness control:

Dimmable with external leading-edge and trailing-edge dimmers

#### Light sources:

Maximum wattage (thermal):

100 W

Bulb socket:

E27

Recommended bulb:

LED bulb 8 W, matt

#### Energy efficiency class of the luminaire:



#### Dimensions and weights:

The weight of the luminaire:

3,9 kg

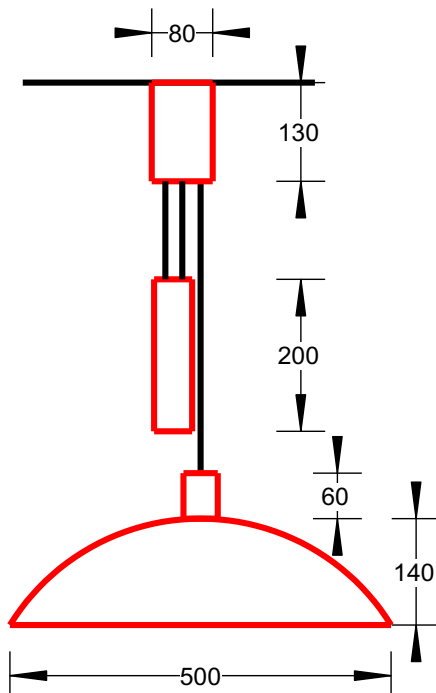
The dimensions of the packages: L B H:

565 x 565 x 380 mm

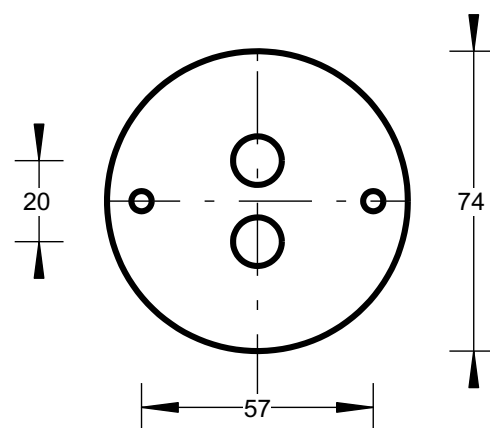
The weight of the packages:

6,7 kg

The dimensions of the luminaire:



The dimensions of the mounting plate:

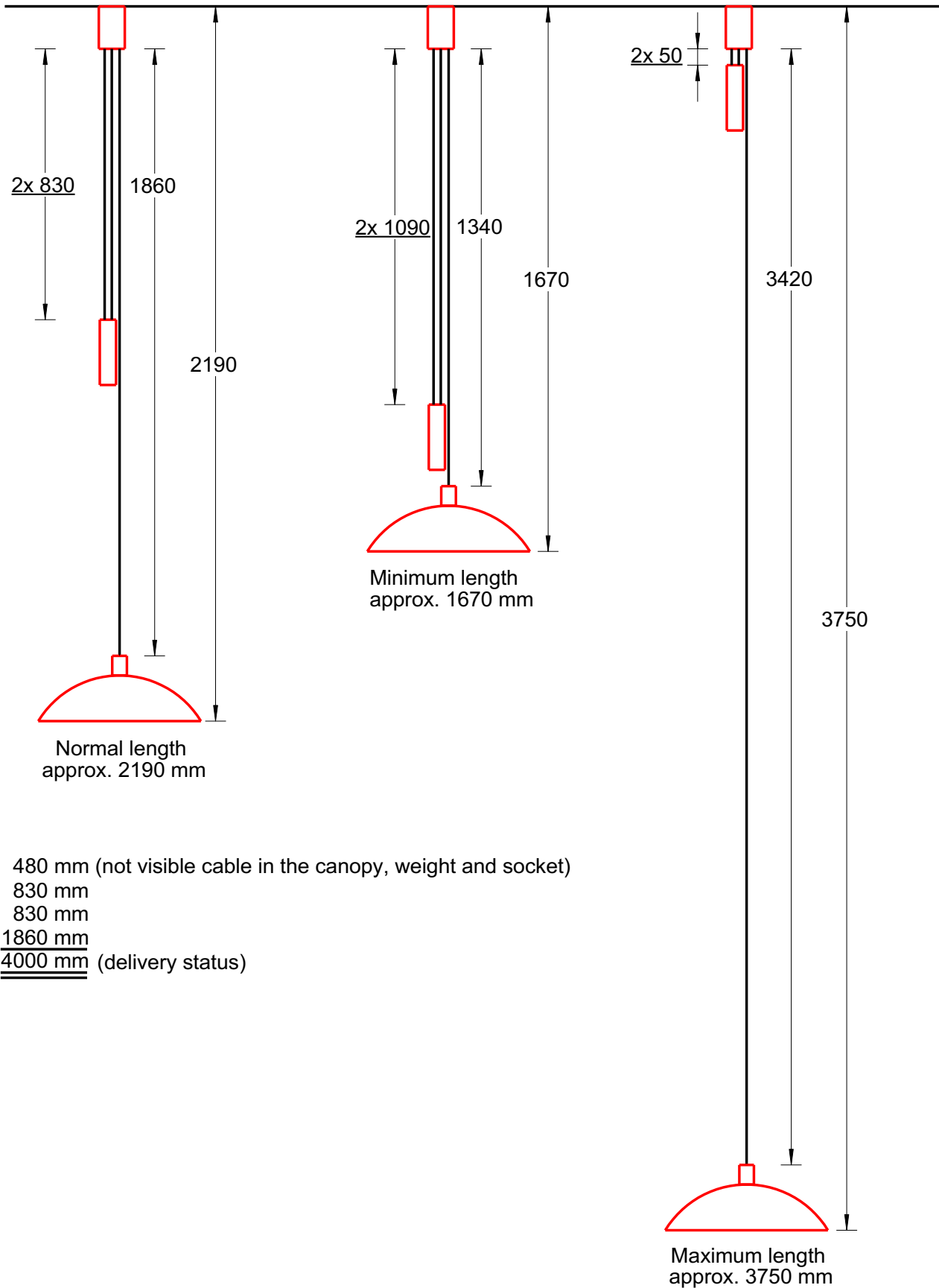


2 x  
Drilling holes  $\varnothing 5$   
holes for cable  
 $\varnothing 12$

# TECNOLUMEN

TECNOLUMEN GmbH & Co. KG • Lötzeener Str. 2-4 • D-28207 Bremen • Tel (0421) 430 41 70 • Fax (0421) 4986685

The dimensions of the luminaire with 4 m cable length (delivery status):



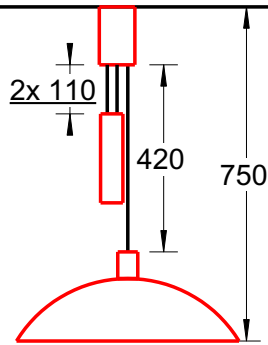
480 mm (not visible cable in the canopy, weight and socket)  
830 mm  
830 mm  
1860 mm  
4000 mm (delivery status)



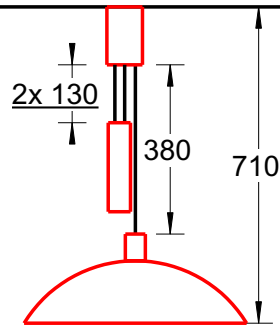
# TECNOLUMEN

TECNOLUMEN GmbH & Co. KG • Lötzeener Str. 2-4 • D-28207 Bremen • Tel (0421) 430 41 70 • Fax (0421) 4986685

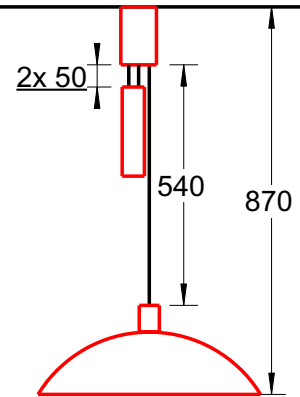
The dimensions of the luminaire with 1,12 m cable length (the shortest possible cable length):



Normal length  
approx. 750 mm



Minimum length  
approx. 710 mm



Maximum length  
approx. 870 mm

480 mm (not visible cable in the canopy, weight and socket)

110 mm

110 mm

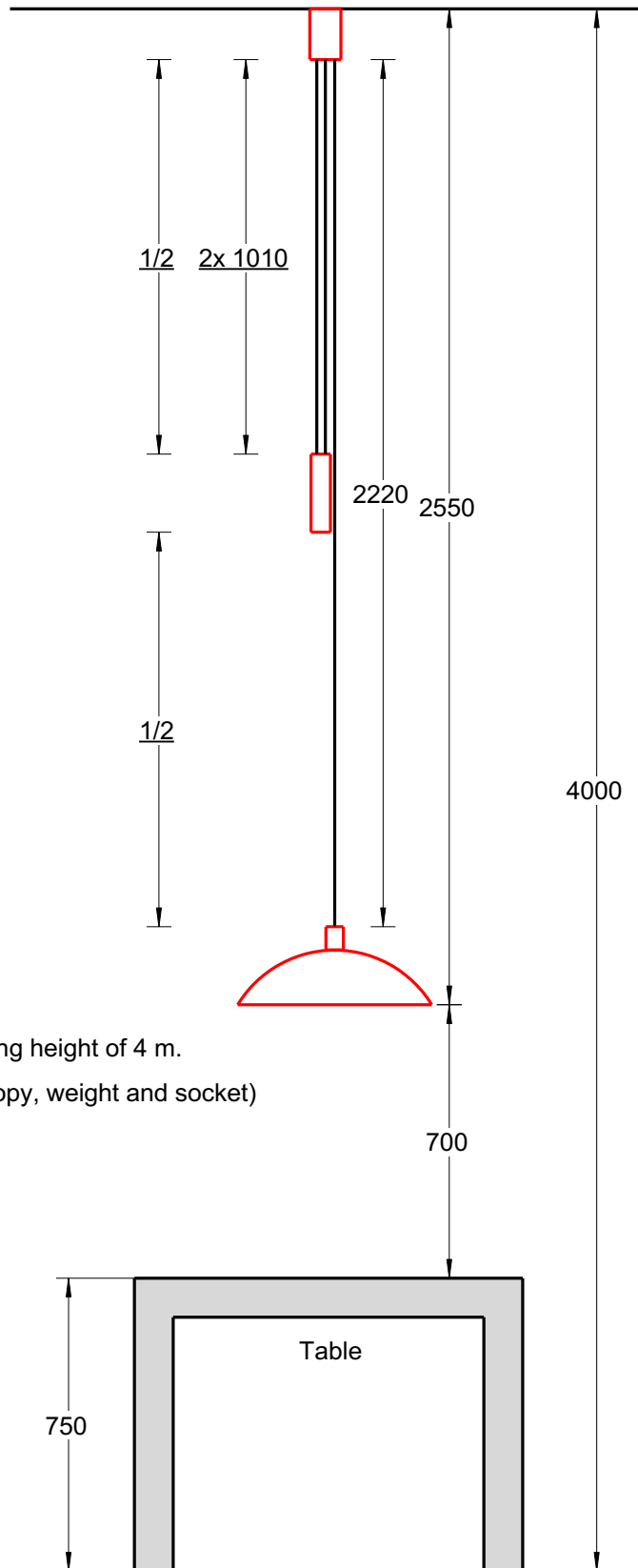
420 mm

1120 mm (the shortest possible cable length)

# TECNOLUMEN

TECNOLUMEN GmbH & Co. KG • Lötzer Str. 2-4 • D-28207 Bremen • Tel (0421) 430 41 70 • Fax (0421) 4986685

Example for a cable length calculation by a ceiling height of 4 m:



Example for a cable length by a ceiling height of 4 m.

- 480 mm (not visible cable in the canopy, weight and socket)
- 1010 mm
- 1010 mm
- 2220 mm
- 4720 mm (required cable length)

# TECNOLUMEN

TECNOLUMEN GmbH & Co. KG • Lötzeener Str. 2-4 • D-28207 Bremen • Tel (0421) 430 41 70 • Fax (0421) 4986685

## Maßnahmen Datenblatt

**HMB25/300    HMB25/300 Z**  
**HMB25/500    HMB25/500 Z**

Export Info's

### Für den Export erforderliche Maßnahmen:

#### Export in die Schweiz

Nichts Erforderlich

#### Export nach Italien

Betriebsanleitung:

Englischsprachig

#### Export nach Großbritannien

Betriebsanleitung:

Englischsprachig

#### Export in die USA

Betriebsanleitung:

Typenschild:

Englischsprachig

Typ: HMB25/300 120 V max. 100 W

Typ: HMB25/500 120 V max. 100 W

Typ: HMB25/300 Z 120 V max. 100 W

Typ: HMB25/500 Z 120 V max. 100 W

Mountingplate:

„rund, poliert“ beilegen