

TECNOLUMEN

TECNOLUMEN GmbH & Co. KG • Lötzeener Str. 2-4 • D-28207 Bremen • Tel (0421) 430 41 70 • Fax (0421) 4986685



History Data sheet EB 27

from 2018 to 2006

General information:

Article type: Buquet table lamp
Article designations:
Logo:
Material:
Surface:

Design: Eduard-Wilfrid Buquet, 1927
EB 27 Si, EB 27 Ni, EB 27 Chr, EB 27 Gold
Each lamp is consecutively numbered and bears this logo **TECNOLUMEN®**
Metal
0.9000 coat of silver, Nickel plated, Chrome plated, gold plated (24 ct)

Technical Data:

General information:

Power supply: 230-240 V / 50-60 Hz
Adjustability:

Degree of protection: IP20

Protection class: I
The luminaire is adjustable

Connection & Switch:

Mode of connection:
Connecting plug:
Length of the visible supply cable:
Switch:

Power socket
Earthing pin plug
approx. 2500 mm
Toggle switch „On-Off-On(70%)“

Operating device:

Electronic transformer:

230 V-240 V / 12 V AC
Vossloh-Schwabe; „TwinLine“ EST 70/12.618

Brightness control:

Two brightness levels with a toggle switch (100% / 70%):
Two resistors with 2,21 MOhm

see wiring diagram

Light sources:

Maximum wattage (thermal):
Bulb socket:
Supplied bulb:

HAL 50 W
GU5.3
Halogen bulb; 12 V; 50 W
Sylvania; "Halogen Capsule"; 50 W

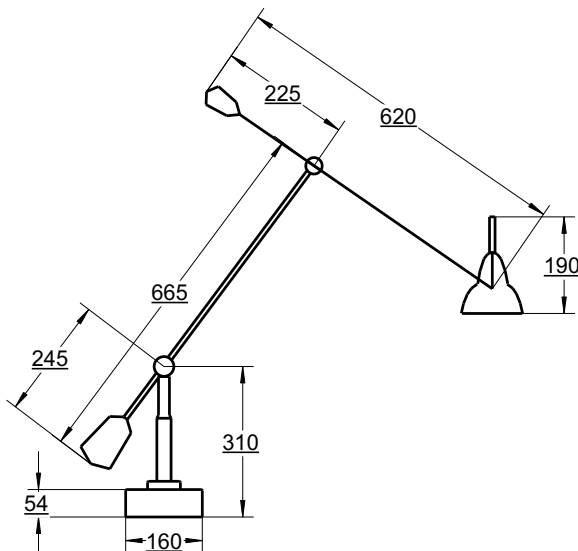
Energy efficiency class of the supplied bulb:



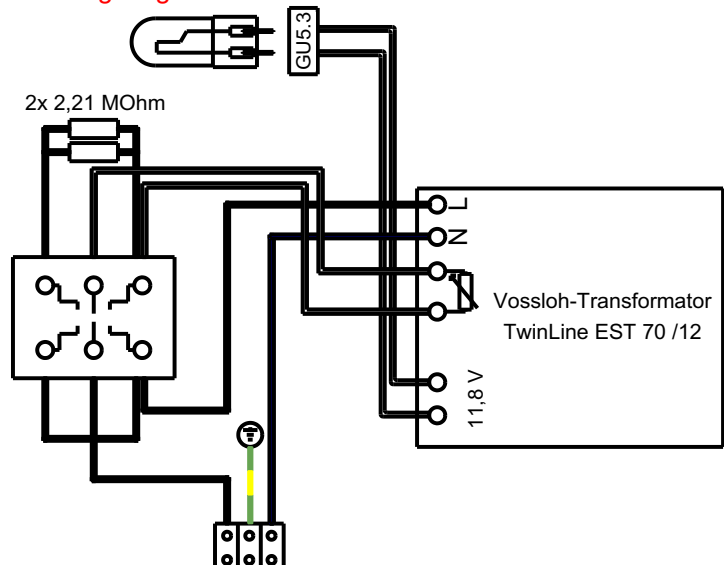
Dimensions and weights:

The weight of the luminaire:
The dimensions of the packages: L B H:
The weight of the packages:
The dimensions of the luminaire:

7,3 kg
1410 x 315 x 315 mm
9,8 kg



Wiring diagram:



TECNOLUMEN

TECNOLUMEN GmbH & Co. KG • Lötzeener Str. 2-4 • D-28207 Bremen • Tel (0421) 430 41 70 • Fax (0421) 4986685



History Data sheet EB 27

from 2006 to 2001

General information:

Article type: Buquet table lamp
Article designations:
Logo:
Material:
Surface:

Design: Eduard-Wilfrid Buquet, 1927
EB 27 Si, EB 27 Ni, EB 27 Chr, EB 27 Gold
Each lamp is consecutively numbered and bears this logo **TECNOLUMEN®**
Metal
0.9000 coat of silver, Nickel plated, Chrome plated, gold plated (24 ct)

Technical Data:

General information:

Power supply: 230-240 V / 50-60 Hz
Adjustability:

Degree of protection: IP20

Protection class: I
The luminaire is adjustable

Connection & Switch:

Mode of connection:
Connecting plug:
Length of the visible supply cable:
Switch:

Power socket
Earthing pin plug
approx. 2500 mm
Toggle switch „On-Off-On(70%)“

Operating device:

Electronic transformer:

230 V-240 V / 12 V AC
Osram "Halotronic" HT 105/230/12C

Brightness control:

Two brightness levels with a toggle switch (100% / 70%):
a resistors with 30 kOhm

see wiring diagram

Light sources:

Maximum wattage (thermal):
Bulb socket:
Supplied bulb:

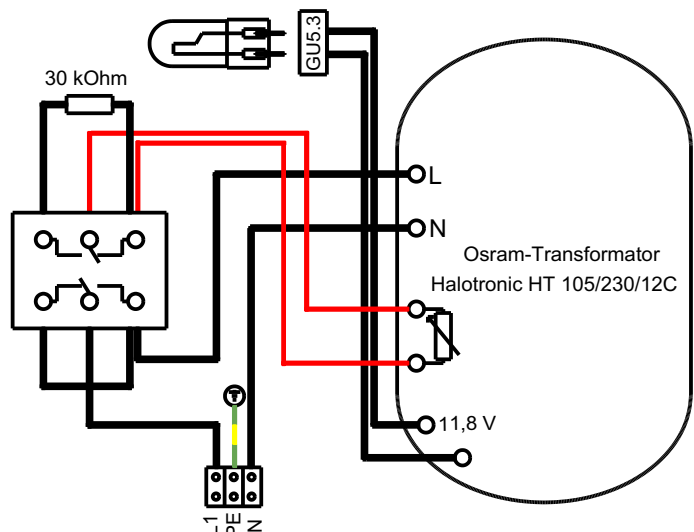
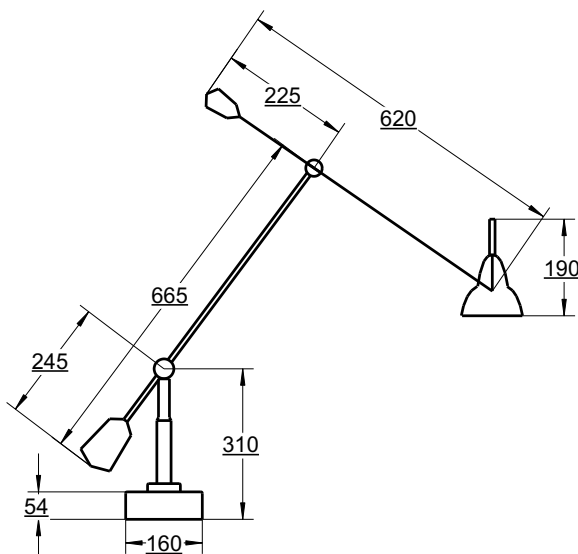
HAL 50 W
GU5.3
Halogen bulb; 12 V; 50 W
Sylvania; "Halogen Capsule"; 50 W

Dimensions and weights:

The weight of the luminaire:
The dimensions of the packages: L B H:
The weight of the packages:
The dimensions of the luminaire:

7,3 kg
1410 x 315 x 315 mm
9,8 kg

Wiring diagram:



TECNOLUMEN

TECNOLUMEN GmbH & Co. KG • Lötzeener Str. 2-4 • D-28207 Bremen • Tel (0421) 430 41 70 • Fax (0421) 4986685



History Data sheet EB 27

from 2001 to 1991

General information:

Article type: Buquet table lamp
Article designations:
Logo:
Material:
Surface:

Design: Eduard-Wilfrid Buquet, 1927
EB 27 Si, EB 27 Ni, EB 27 Chr, EB 27 Gold
Each lamp is consecutively numbered and bears this logo **TECNOLUMEN®**
Metal
0.9000 coat of silver, Nickel plated, Chrome plated, gold plated (24 ct)

Technical Data:

General information:

Power supply: 230-240 V / 50-60 Hz
Adjustability:

Degree of protection: IP20

Protection class: I
The luminaire is adjustable

Connection & Switch:

Mode of connection:
Connecting plug:
Length of the visible supply cable:
Switch:

Power socket
Earthing pin plug
approx. 2500 mm
Toggle switch „On-Off“

Operating device:

Toroidal transformer:

2 x 115 V / 12 V AC
„Sedlbauer“ Toroidal Converter

Brightness control:

No control:

see wiring diagram

Light sources:

Maximum wattage (thermal):

HAL 75 W

Bulb socket:

no socket, mounted with an aluminum bracket and 2 hex head screws

Supplied bulb:

Halogen bulb; 12 V; 75 W
Osram; „Halospot 111“; 75 W

Dimensions and weights:

The weight of the luminaire:

7,3 kg

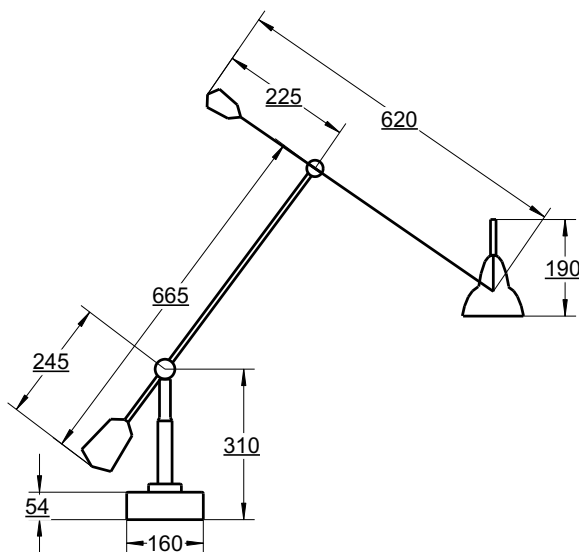
The dimensions of the packages: L B H:

1410 x 315 x 315 mm

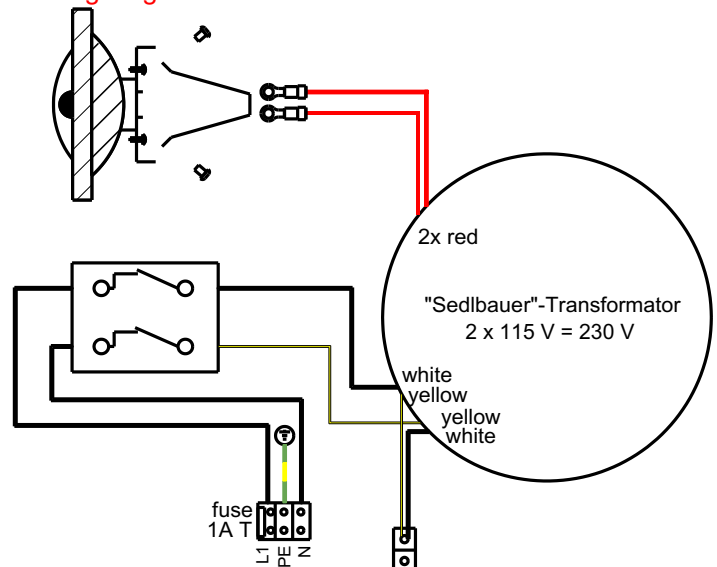
The weight of the packages:

9,8 kg

The dimensions of the luminaire:



Wiring diagram:



TECNOLUMEN

TECNOLUMEN GmbH & Co. KG • Lötzener Str. 2-4 • D-28207 Bremen • Tel (0421) 430 41 70 • Fax (0421) 4986685



History Data sheet EB 27

from 1991 to 1980

General information:

Article type: Buquet table lamp
Article designations:
Logo:
Material:
Surface:

Design: Eduard-Wilfrid Buquet, 1927
EB 27 Si, EB 27 Ni, EB 27 Chr, EB 27 Gold
Each lamp is consecutively numbered and bears this logo **TECNOLUMEN**®
Metal
0.9000 coat of silver, Nickel plated, Chrome plated, gold plated (24 ct)

Technical Data:

General information:

Power supply: 230-240 V / 50-60 Hz
Adjustability:

Degree of protection: IP20

Protection class: I
The luminaire is adjustable

Connection & Switch:

Mode of connection:
Connecting plug:
Length of the visible supply cable:
Switch:

Power socket
Earthing pin plug
approx. 2500 mm
Toggle switch „On-Off-On(70%)“

Operating device:

Toroidal transformer:

2 x 115 V / 9 & 12 V AC
„Polytronik“ Toroidal Converter

Brightness control:

Two brightness levels with a toggle switch (100% / 70%):

see wiring diagram

Light sources:

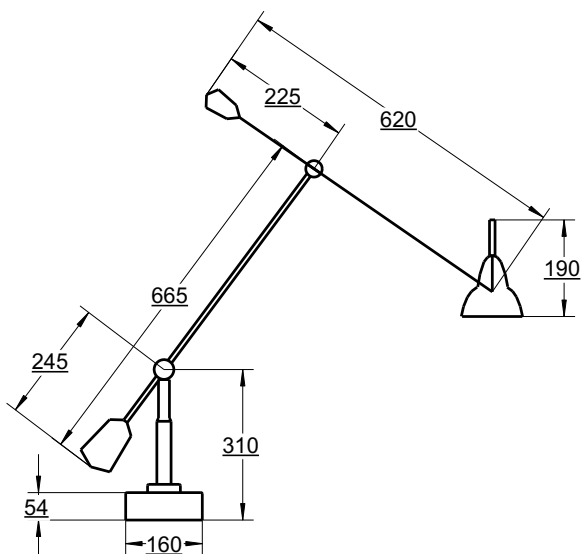
Maximum wattage (thermal):
Bulb socket:
Supplied bulb:

HAL 50 W
Ba15d
Halogen bulb; 12 V; 50 W
Osram; „Halospot 70“; 50 W

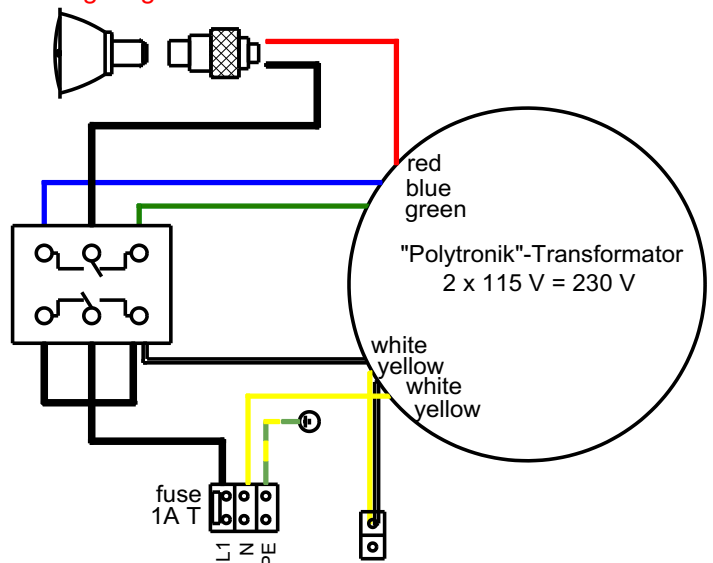
Dimensions and weights:

The weight of the luminaire:
The dimensions of the packages: L B H:
The weight of the packages:
The dimensions of the luminaire:

7,3 kg
1410 x 315 x 315 mm
9,8 kg



Wiring diagram:



TECNOLUMEN

TECNOLUMEN GmbH & Co. KG • Lötzeener Str. 2-4 • D-28207 Bremen • Tel (0421) 430 41 70 • Fax (0421) 4986685



History Data sheet EB 27

from 2018 to 2015

General information:

Article type: Buquet table lamp
Article designations:
Logo:
Material:
Surface:

Design: Eduard-Wilfrid Buquet, 1927
EB 27 Si, EB 27 Ni, EB 27 Chr, EB 27 Gold
Each lamp is consecutively numbered and bears this logo **TECNOLUMEN**[®]
Metal
0.9000 coat of silver, Nickel plated, Chrome plated, gold plated (24 ct)

Technical Data:

General information:

Power supply: 120 V / 60 Hz
Adjustability:

Degree of protection: IP20

Protection class: I
The luminaire is adjustable

Connection & Switch:

Mode of connection:
Connecting plug:
Length of the visible supply cable:
Switch:

Power socket
Earthing pin plug
approx. 2500 mm
Toggle switch „On-Off“

Operating device:

Transformer:

120 V / 12 V AC
Fulham; Pony PET-120-12-75

Brightness control:

No control:

see wiring diagram

Light sources:

Maximum wattage (thermal):
Bulb socket:
Supplied bulb:

HAL 50 W
GU5.3
Halogen bulb; 12 V; 50 W
Sylvania; "Halogen Capsule"; 50 W

Energy efficiency class of the supplied bulb:

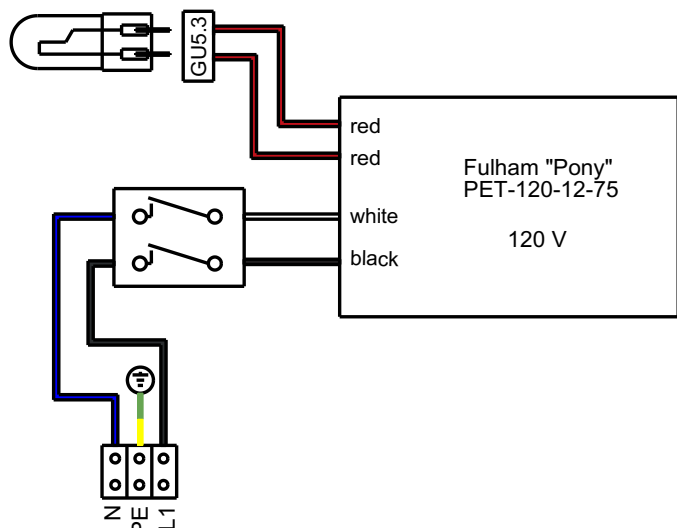
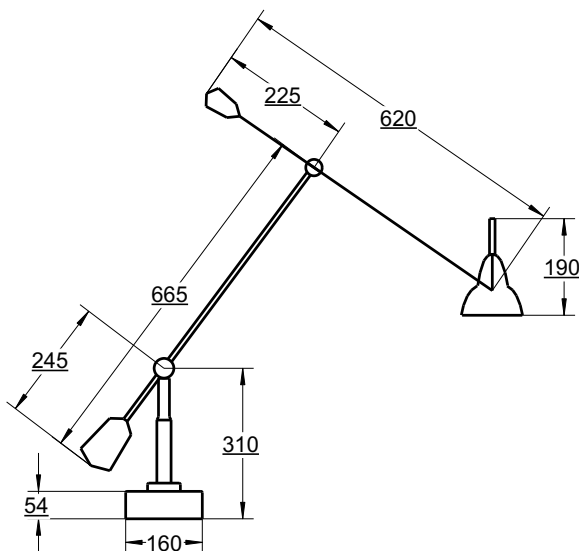


Dimensions and weights:

The weight of the luminaire:
The dimensions of the packages: L B H:
The weight of the packages:
The dimensions of the luminaire:

7,3 kg
1410 x 315 x 315 mm
9,8 kg

Wiring diagram:



TECNOLUMEN

TECNOLUMEN GmbH & Co. KG • Lötzeener Str. 2-4 • D-28207 Bremen • Tel (0421) 430 41 70 • Fax (0421) 4986685



History Data sheet EB 27

from 2015 to 2006

General information:

Article type: Buquet table lamp
Article designations:
Logo:
Material:
Surface:

Design: Eduard-Wilfrid Buquet, 1927
EB 27 Si, EB 27 Ni, EB 27 Chr, EB 27 Gold
Each lamp is consecutively numbered and bears this logo **TECNOLUMEN®**
Metal
0.9000 coat of silver, Nickel plated, Chrome plated, gold plated (24 ct)

Technical Data:

General information:

Power supply: 120 V / 60 Hz
Adjustability:

Degree of protection: IP20

Protection class: I
The luminaire is adjustable

Connection & Switch:

Mode of connection:
Connecting plug:
Length of the visible supply cable:
Switch:

Power socket
Earthing pin plug
approx. 2500 mm
Toggle switch „On-Off-On(70%)“

Operating device:

Toroidal transformer:

2 x 115 V / 9 & 12 V AC
„Hogenkamp“ Toroidal Converter

Brightness control:

Two brightness levels with a toggle switch (100% / 70%):

see wiring diagram

Light sources:

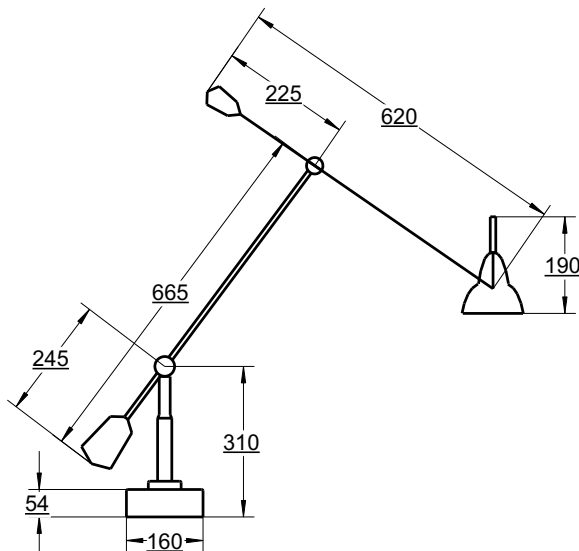
Maximum wattage (thermal):
Bulb socket:
Supplied bulb:

HAL 50 W
GU5.3
Halogen bulb; 12 V; 50 W
Sylvania; "Halogen Capsule"; 50 W

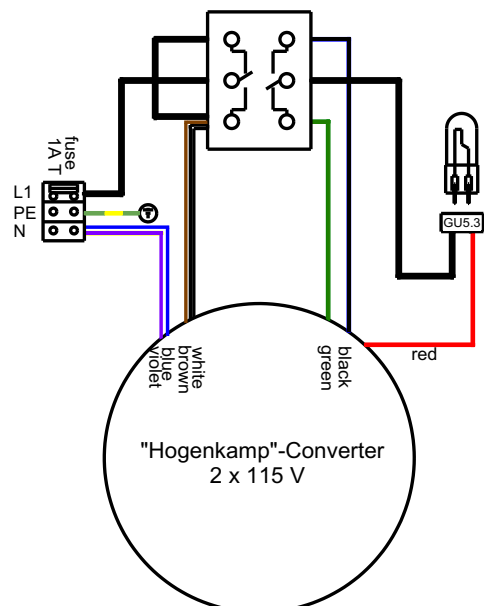
Dimensions and weights:

The weight of the luminaire:
The dimensions of the packages: L B H:
The weight of the packages:
The dimensions of the luminaire:

7,3 kg
1410 x 315 x 315 mm
9,8 kg



Wiring diagram:



TECNOLUMEN

TECNOLUMEN GmbH & Co. KG • Lötzeener Str. 2-4 • D-28207 Bremen • Tel (0421) 430 41 70 • Fax (0421) 4986685



History Data sheet EB 27

from 2006 to 2001

General information:

Article type: Buquet table lamp
Article designations:
Logo:
Material:
Surface:

Design: Eduard-Wilfrid Buquet, 1927
EB 27 Si, EB 27 Ni, EB 27 Chr, EB 27 Gold
Each lamp is consecutively numbered and bears this logo **TECNOLUMEN®**
Metal
0.9000 coat of silver, Nickel plated, Chrome plated, gold plated (24 ct)

Technical Data:

General information:

Power supply: 120 V / 60 Hz
Adjustability:

Degree of protection: IP20

Protection class: I
The luminaire is adjustable

Connection & Switch:

Mode of connection:
Connecting plug:
Length of the visible supply cable:
Switch:

Power socket
Earthing pin plug
approx. 2500 mm
Toggle switch „On-Off-On(70%)“

Operating device:

Toroidal transformer:

2 x 115 V / 9 & 12 V AC
„Block“ Toroidal Converter

Brightness control:

Two brightness levels with a toggle switch (100% / 70%):

see wiring diagram

Light sources:

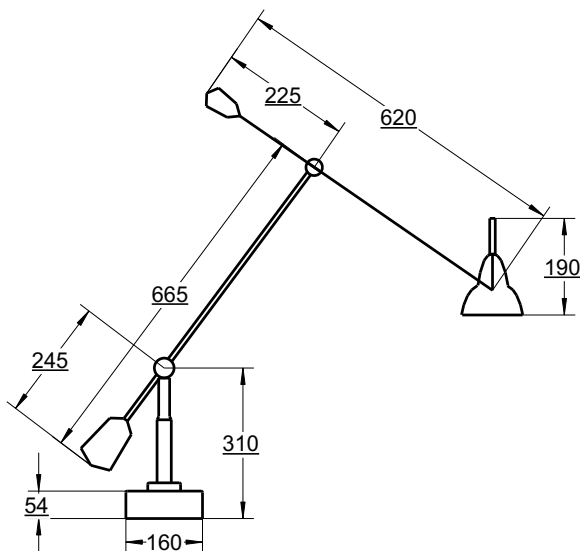
Maximum wattage (thermal):
Bulb socket:
Supplied bulb:

HAL 50 W
GU5.3
Halogen bulb; 12 V; 50 W
Sylvania; "Halogen Capsule"; 50 W

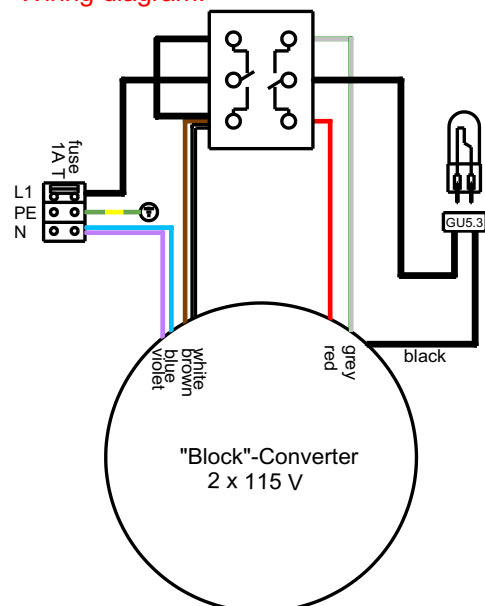
Dimensions and weights:

The weight of the luminaire:
The dimensions of the packages: L B H:
The weight of the packages:
The dimensions of the luminaire:

7,3 kg
1410 x 315 x 315 mm
9,8 kg



Wiring diagram:



TECNOLUMEN

TECNOLUMEN GmbH & Co. KG • Lötzeener Str. 2-4 • D-28207 Bremen • Tel (0421) 430 41 70 • Fax (0421) 4986685

History Data sheet EB 27



from 2001 to 1991

General information:

Article type: Buquet table lamp
Article designations:
Logo:
Material:
Surface:

Design: Eduard-Wilfrid Buquet, 1927
EB 27 Si, EB 27 Ni, EB 27 Chr, EB 27 Gold
Each lamp is consecutively numbered and bears this logo **TECNOLUMEN®**
Metal
0.9000 coat of silver, Nickel plated, Chrome plated, gold plated (24 ct)

Technical Data:

General information:

Power supply: 120 V / 60 Hz
Adjustability:

Degree of protection: IP20

Protection class: I
The luminaire is adjustable

Connection & Switch:

Mode of connection:
Connecting plug:
Length of the visible supply cable:
Switch:

Power socket
Earthing pin plug
approx. 2500 mm
Toggle switch „On-Off“

Operating device:

Toroidal transformer:

2 x 115 V / 12 V AC
„Sedlbauer“ Toroidal Converter

Brightness control:

No control:

see wiring diagram

Light sources:

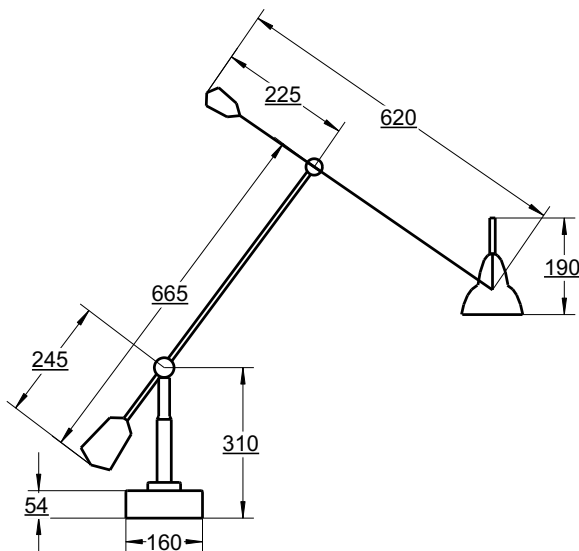
Maximum wattage (thermal):
Bulb socket:
Supplied bulb:

HAL 75 W
no socket, mounted with an aluminum bracket and 2 hex head screws
Halogen bulb; 12 V; 75 W
Osram; „Halospot 111“; 75 W

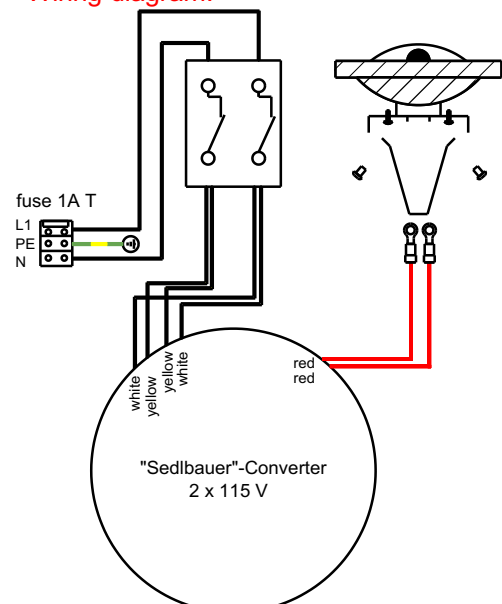
Dimensions and weights:

The weight of the luminaire:
The dimensions of the packages: L B H:
The weight of the packages:
The dimensions of the luminaire:

7,3 kg
1410 x 315 x 315 mm
9,8 kg



Wiring diagram:



TECNOLUMEN

TECNOLUMEN GmbH & Co. KG • Lötzeener Str. 2-4 • D-28207 Bremen • Tel (0421) 430 41 70 • Fax (0421) 4986685

History Data sheet EB 27



from 1991 to 1980

General information:

Article type: Buquet table lamp
Article designations:
Logo:
Material:
Surface:

Design: Eduard-Wilfrid Buquet, 1927
EB 27 Si, EB 27 Ni, EB 27 Chr, EB 27 Gold
Each lamp is consecutively numbered and bears this logo **TECNOLUMEN®**
Metal
0.9000 coat of silver, Nickel plated, Chrome plated, gold plated (24 ct)

Technical Data:

General information:

Power supply: 120 V / 60 Hz
Adjustability:

Degree of protection: IP20

Protection class: I
The luminaire is adjustable

Connection & Switch:

Mode of connection:
Connecting plug:
Length of the visible supply cable:
Switch:

Power socket
Earthing pin plug
approx. 2500 mm
Toggle switch „On-Off-On(70%)“

Operating device:

Toroidal transformer:

2 x 115 V / 9 & 12 V AC
„Polytronik“ Toroidal Converter

Brightness control:

Two brightness levels with a toggle switch (100% / 70%):

see wiring diagram

Light sources:

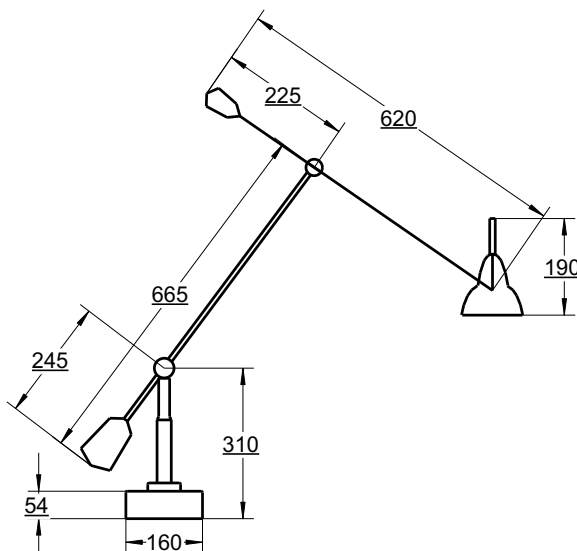
Maximum wattage (thermal):
Bulb socket:
Supplied bulb:

HAL 50 W
Ba15d
Halogen bulb; 12 V; 50 W
Osram; „Halospot 70“; 50 W

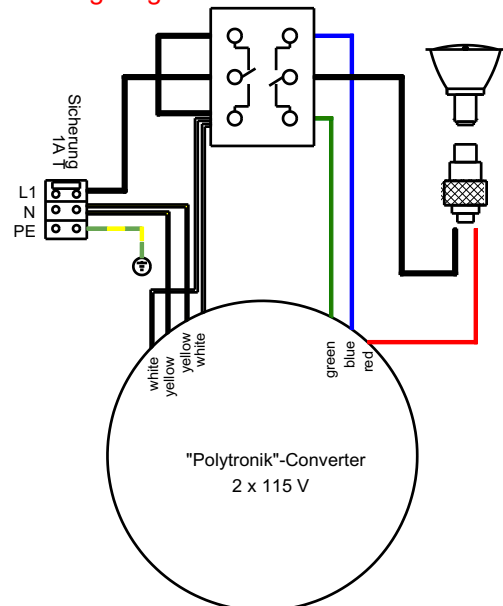
Dimensions and weights:

The weight of the luminaire:
The dimensions of the packages: L B H:
The weight of the packages:
The dimensions of the luminaire:

7,3 kg
1410 x 315 x 315 mm
9,8 kg



Wiring diagram:



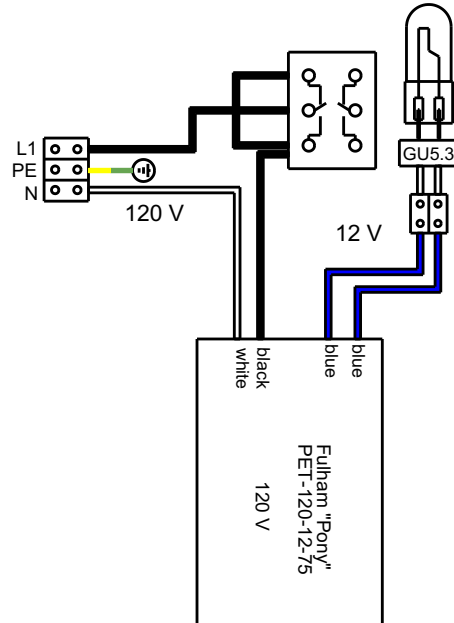
TECNOLUMEN

TECNOLUMEN GmbH & Co. KG • Lötzeener Str. 2-4 • D-28207 Bremen • Tel (0421) 430 41 70 • Fax (0421) 4986685



Replacement transformer with an old 2-pole change-over contact toggle switch EB 27

Wiring diagram:



TECNOLUMEN

TECNOLUMEN GmbH & Co. KG • Lötzeener Str. 2-4 • D-28207 Bremen • Tel (0421) 430 41 70 • Fax (0421) 4986685

Maßnahmen Datenblatt EB 27

Export Info's

Für den Export erforderliche Maßnahmen:

Export in die Schweiz

Anschlussstecker:

CH-Schutzkontaktstecker

Export nach Italien

Betriebsanleitung:

Englischsprachig

Anschlussstecker:

I-Schutzkontaktstecker

Export nach Großbritannien

Betriebsanleitung:

Englischsprachig

Anschlussstecker:

GB-Schutzkontaktstecker

Export in die USA

Betriebsanleitung:

Englischsprachig

Typenschild:

Typ: EB27 120 V / 12 V max. 50 W

Anschlussstecker:

US-Schutzkontaktstecker

elektronischer Transformator:

120 V / 12 V AC

Fulham; Pony PET-120-12-75

Schaltplan:

